




## 04 | PRODUCTS, ACCESSORIES & TOOLS

SoundDown™ raised acoustic floor systems are feature proprietary and market-available, reputable construction products, available through Trade Supply (tradesupply.co.nz).

Boards, Battens & Insulation	
	<b>SoundDown™ PAB</b> A pre-assembled acoustic batten comprising of LVL & recycled rubber isolation strips, 45x46mm. Available in 1.0m, 1.8m, 2.4m & 3.0m lengths.
	<b>SoundDown™ SDP</b> A pre-assembled acoustic sandwich panel comprising of Maglok Dragonboard 20mm, recycled rubber isolation strips and pads and 6mm SaveBoard Exposed Internal Lining. Available in 1800x600x42mm.
	<b>Maglok™ Dragonboard</b> A chloride-free, fibre-reinforced MgO board for use as structural sub-floor featuring a shiplap joint on the long edge. Available in 2000x1200x20mm and 1800x600x20mm. *1800x600x20mm is preferred for SoundDown™ PAB due to fitting batten spacing.
	<b>Mammoth™ Acoustic 580</b> A 580gsm, moisture-resistant, non-sag, polyester insulation available in blankets and sections. Available in 600x2500mm roll (2pcs/30m <sup>2</sup> per pack).
	<b>Oriented-Strand Board (OSB) 20mm</b> A oriented strand board (OSB) for use as a structural sub-floor featuring a tongue and groove joint on the long edge. SoundDown™ recommends the use of either: - IBS™ Eurofloor. Available in 2400x1200x20mm & 3600x1200x20mm. - Laminex Strandfloor T&G. Available in 2400x1200x20mm & 3600x1200x20mm. *Where used in wet areas; a moisture-resistant OSB is required. H31 grade or higher.
	<b>Plasterboard (13mm)</b> A 960kg/m <sup>3</sup> + 13mm high-performance acoustic and fire plasterboard lining is required. SoundDown™ recommends GIB™ Braceline® Noiseline® 13mm Plasterboard. Available in 1200 x 2400   2700   3000   3600.
	<b>Rondo KEY-LOCK® Suspended Ceiling System</b> A performance, snap-fit acoustically-rated suspended ceiling system. The following products must be used: - Rondo 547 Suspension Bracket - Rondo 2534 Suspension Clip 110mm (To suit TCR 127/128) - Rondo 121 Suspension Rod - Rondo 127 TCR 25mm (*128 TCR 38mm permitted for use) - Rondo STSU Acoustic Isolator - Rondo 129 Furring Channel (28x38mm) - Rondo 272 TCR Joiner  *Additional layers of plasterboard may be used to provide a fire-rated system. Refer to <a href="http://www.rondo.co.nz">www.rondo.co.nz</a> for more information.

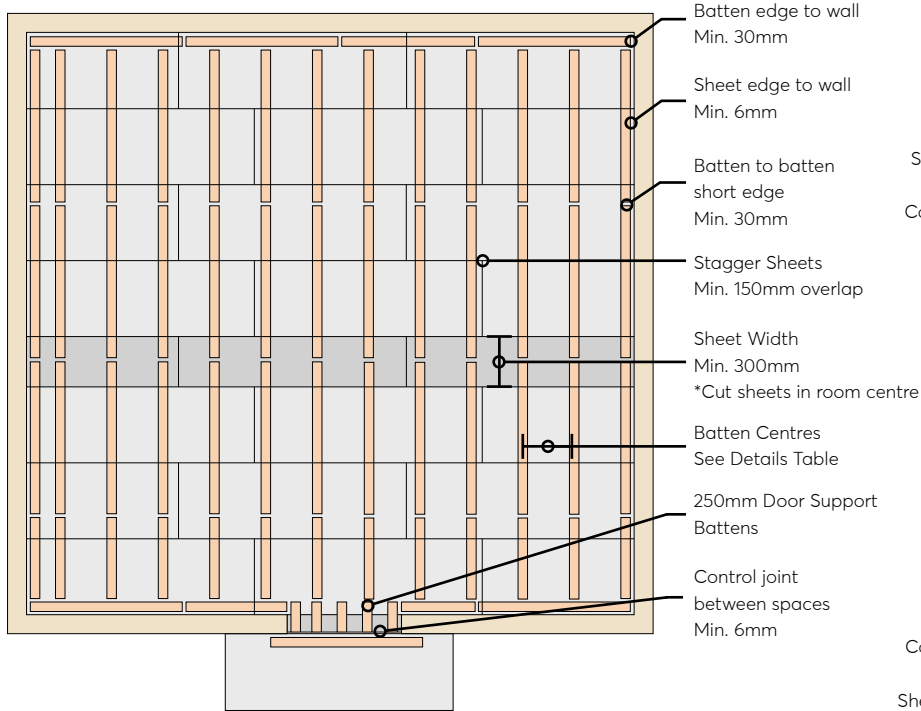


Denotes interchangeability of products permitted when a professional acoustician has provided a technical specification suitable for your project needs.

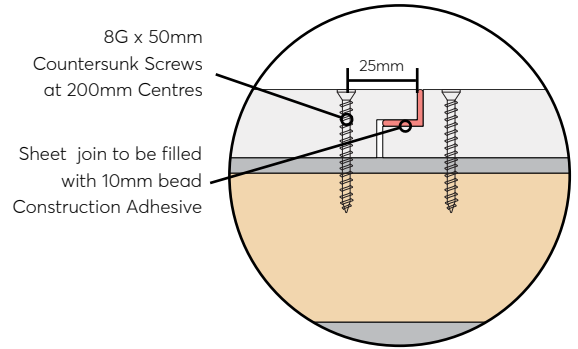
Accessories	
	<b>SoundDown™ SDP Acoustic Isolation Kit</b> A kit of additional isolation strips and pads to reinforce SoundDown™ SDP panels where cutting has removed pre-assembled isolation material.
	<b>Screws</b> 8G x 50mm Countersunk (CSK) Self-Tapping Screw Dry Areas: Min. Class 3 Galvanised Wet Areas: SS304 or SS316 Required.
	<b>Construction Adhesive</b> Examples: Sika™ Nail Bond Premium, Holdfast Gorilla™ Grip, Bostik™ Alpha Grip & Selleys™ Liquid Nails
	<b>Fire &amp; Acoustic Sealant</b> Examples: Selleys Superfire 810
	<b>Backing Rod</b> Closed-cell, 10mm backing rod for control joints
	<b>Insulation Ties/Strap</b>
SoundDown™ Tools	
	<b>SoundDown™ PAB Setout Tool</b> A prefabricated setout tool, removing onsite measuring and maintaining alignment during installation of SoundDown™ PAB battens.
Power Tools	
	<b>Simpson Strong-Tie Quik Drive Screw® Driving System</b> An extended, collated, auto-feed screw gun enabling fast fixing of subfloor topping panels. (SoundDown™ PAB Only)
	Cordless Impact Driver / Drill
	Track Saw with Vacuum Dust Extraction (M Class or Higher)
	180mm+ Diamond-Tipped Saw Blade
Hand Tools	
	Gorilla™ Gripper
	Spatula / Joint Knife
	Caulking Gun

# 09 | SOUNDDOWN™ PAB | LAYOUT

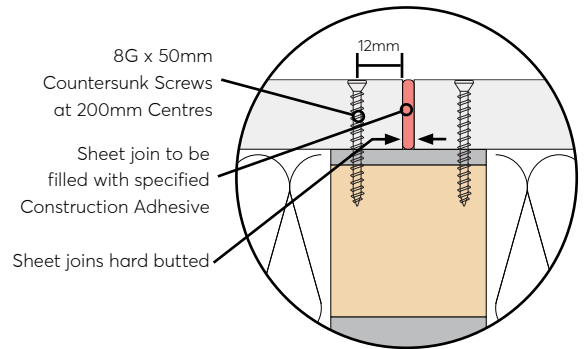
## ROOM PLAN



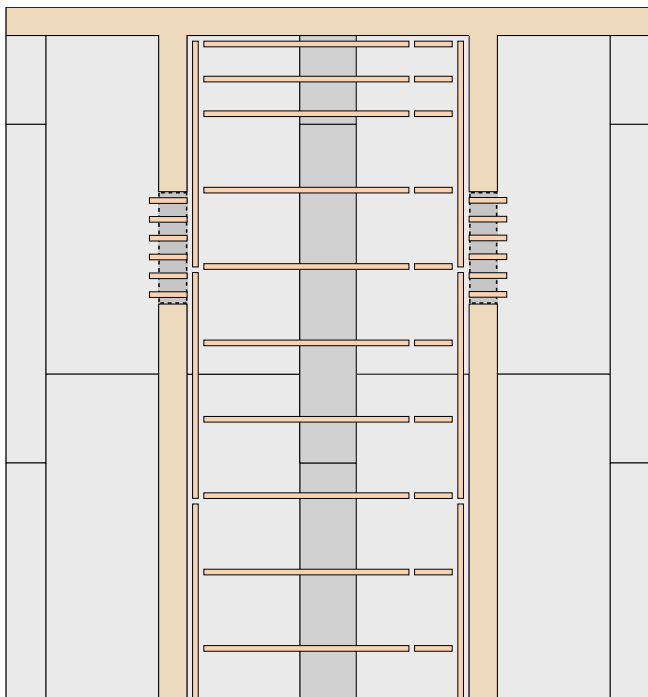
## LONG EDGE JOIN - SHIPLAP



## SHORT EDGE JOIN - BUTT JOIN

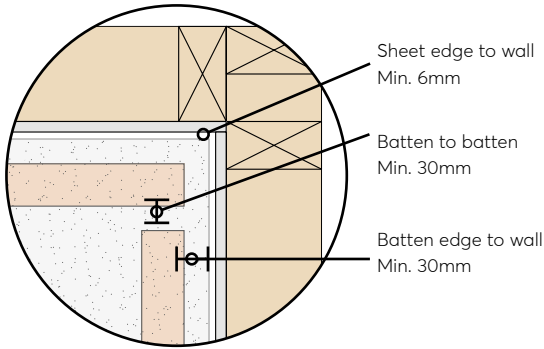


## CORRIDOR PLAN

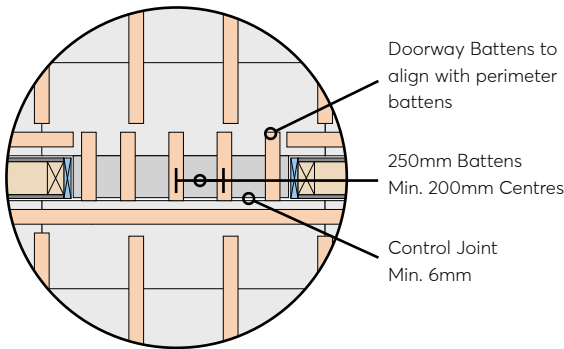


# 10 | SOUNDDOWN™ PAB | CONSTRUCTION DETAILS

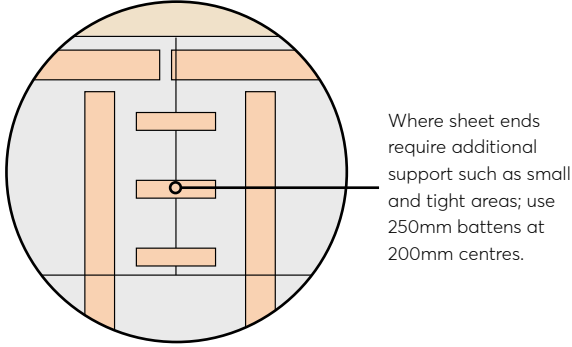
EDGE DETAIL



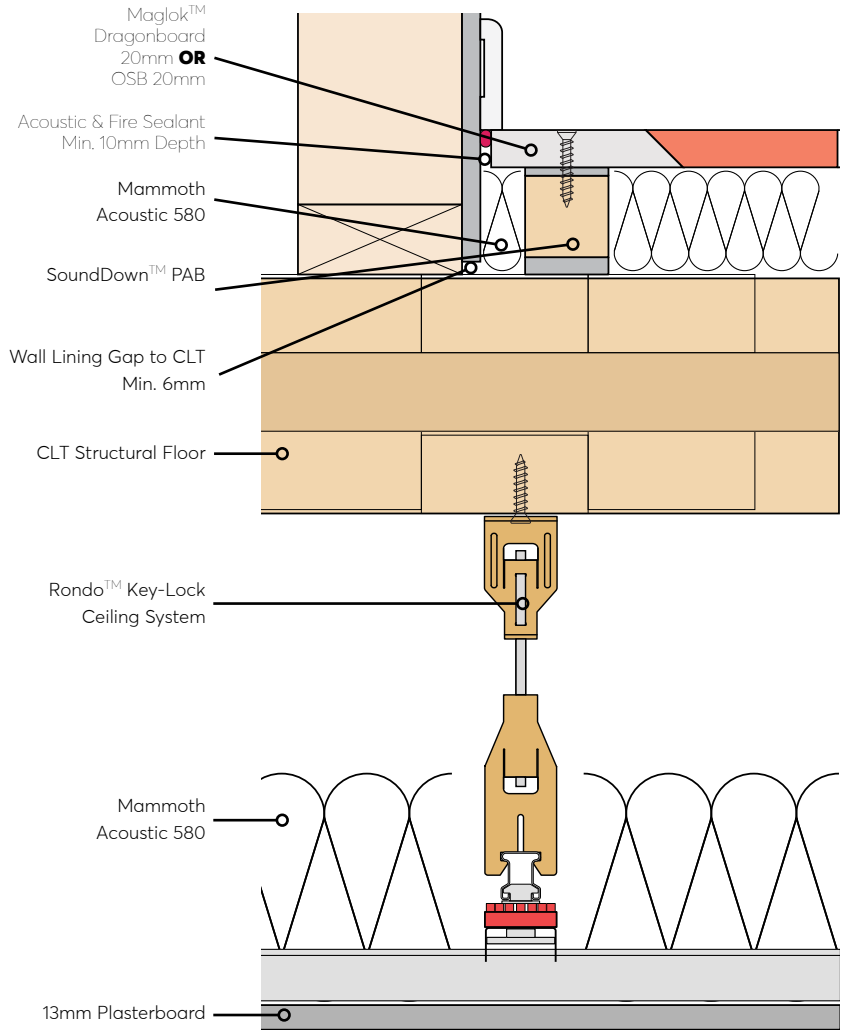
DOOR TRANSITION DETAIL



INTERMEDIATE BATTEN



SECTION VIEW



## BATTEN SPACING

SoundDown™ PAB must be installed at a maximum of 450mm centres. The options listed below are to minimise panel cutting and wastage.

Topping Type	MAGLOK™ DRAGONBOARD	OSB	
Topping Panel Size	1800x600x20mm	2400x1200x20mm	2400x1200x20mm
SoundDown™ PAB 45x45mm	450mm Centres	400mm Centres	400mm Centres

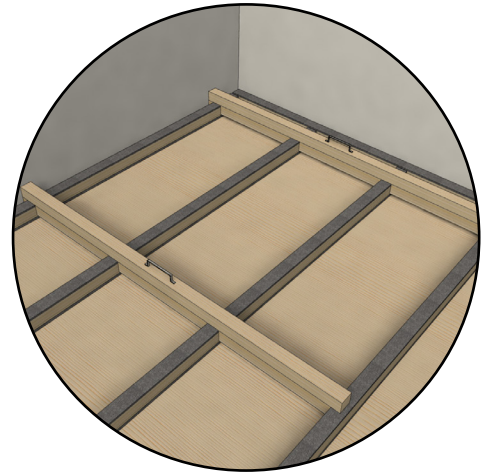
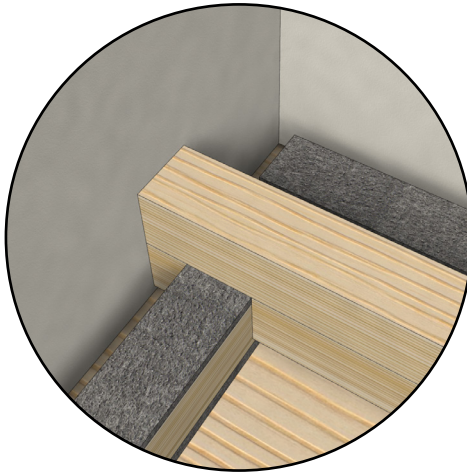
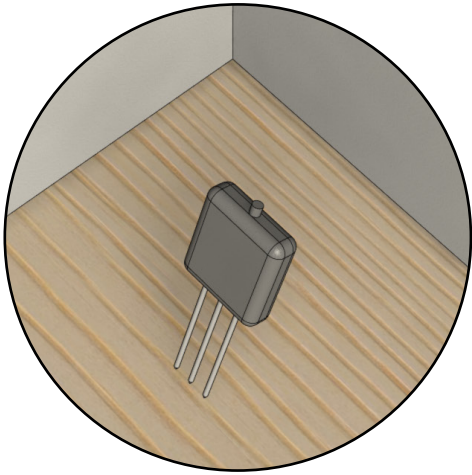
Panels & Battens are NOT to come into contact with the wall lining or framing.

## FIXING SPACING

SCREWS	MAGLOK™ DRAGONBOARD		OSB	
	FASTENER EDGE DISTANCE	FASTENER SPACING	FASTENER EDGE DISTANCE	FASTENER SPACING
8G x 50mm CSK Self-Tapping Screw Dry Areas: Min. Class 3 Galvanised Wet Areas: SS304 or SS316 Required.	Shiplap Edge - 25mm Butt Edge - 15mm	Sheet Edge - 300mm Sheet Centre - 400mm	Shiplap Edge - 25mm Butt Edge - 15mm	Sheet Edge - 150mm Sheet Centre - 300mm

SoundDown™ recommends the use of Simpson Strong-Tie Quik Drive® Screw Driving System or similar

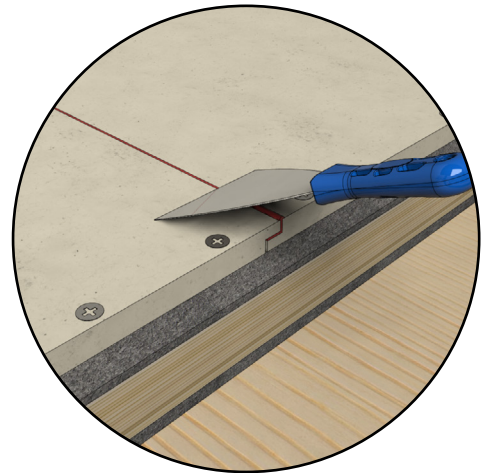
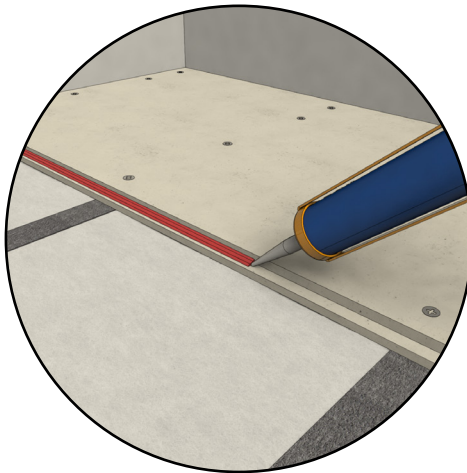
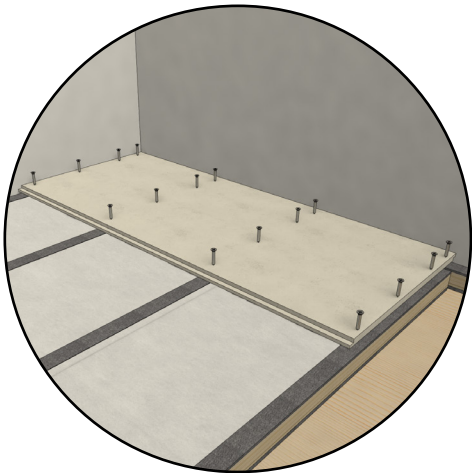
## 11 | SOUNDDOWN™ PAB | INSTALLATION



- Ensure CLT is free of debris, dust, nails and screws.
- Check CLT moisture content, must be under <16% before installation.
- If the CLT has been coated, install after desired curing time has lapsed.
- Wall lining to be installed before installing SoundDown™ Acoustic Batten Floor System, and not touching the CLT structural floor.

- Measure room layout, calculate panel sizing (considering minimum cut panel size) and ensure battens can support sheet edges adequately. Use PAB Setout Tool to set wall distance (30mm).
- Start installing the SoundDown™ Acoustic Battens around the perimeter, completing the doorway detail, followed by the room centre. See Construction Details for batten edge distances and spacing.

- Use SoundDown™ Setout Tool to accurately align and hold battens at 450mm centres for Topping Panel installation.
- Do NOT mechanically fix the battens to the CLT structural floor. The Acoustic Battens are designed to 'float' over the floor.



- Install the specified the Structural Topping sub-floor panel at the furthest corner from the doorway or exit path; checking the correct fasteners and fastener spacing is used the for specified substrate. See Construction Details for more information.
- Use chalkline to mark batten centres on topping panel before progressing.

- Apply a continuous bead of the specified Construction Adhesive into the joint.
- Ensure Construction Adhesive is applied at the butt-joint where sheet ends meet.

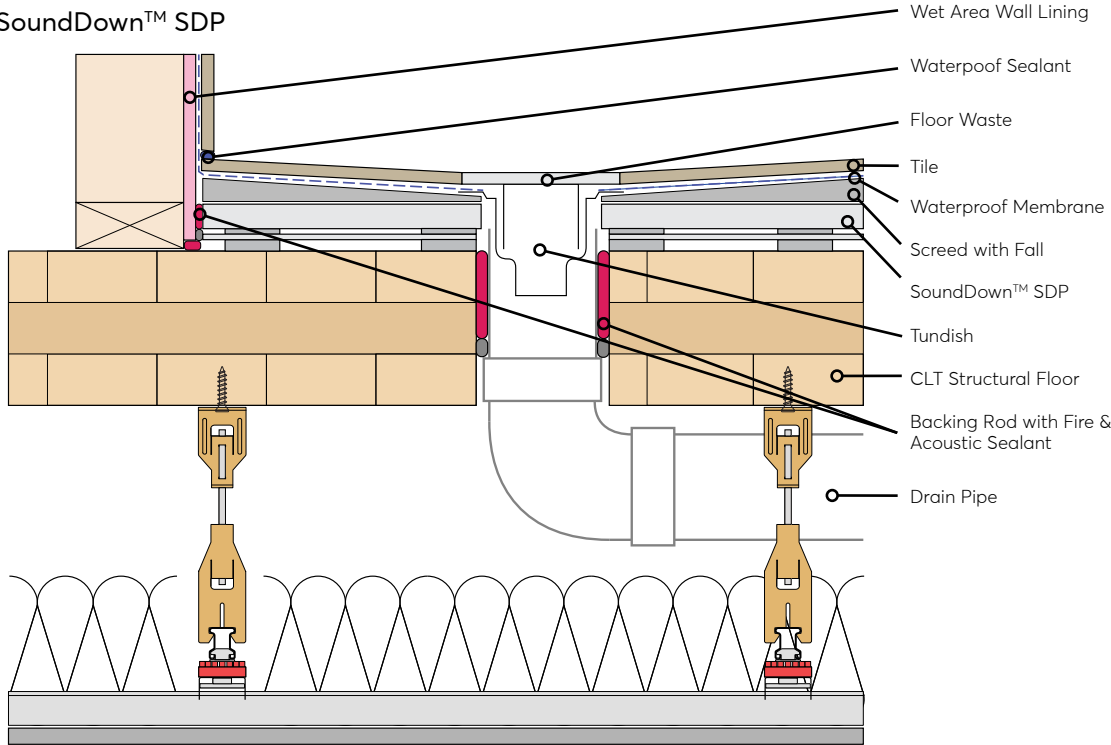
- Using a joint knife, scrape excess adhesive.
- In wet areas, cover fastener heads with a waterproof acrylic sealant after room has been completed. Refer to Wet Area section for further information.

## 12 | WET AREAS & PENETRATIONS

SoundDown™ Floor Systems utilise a common wet area and penetration detail for insitu bathrooms.

If your project features the use of bathroom pods or other pre-fabricated elements, it is the designers responsibility to coordinate design and detailing with all parties to ensure a compliant and secure waterproof details.

### SoundDown™ SDP



### SoundDown™ Systems

- Penetrations must be only 10mm larger than required pipe/ducting and filled with fire & acoustic sealant.
- PAB and SDP require additional min. 250mm supports at either side of the penetrations.

### SoundDown™ PAB System

- Only Maglok Dragonboard in wet areas.
- Stainless steel screws only to be used in wet areas.
- Fastener heads to be covered in waterproof sealant, scrape flush to floor.

### Important Information

- Fire & Acoustic performance can be adversely affected by penetrations; it is the responsibility of the designer to coordinate with 3rd parties to ensure penetrations and products used are compliant and fit for purpose.

### SoundDown™ PAB

